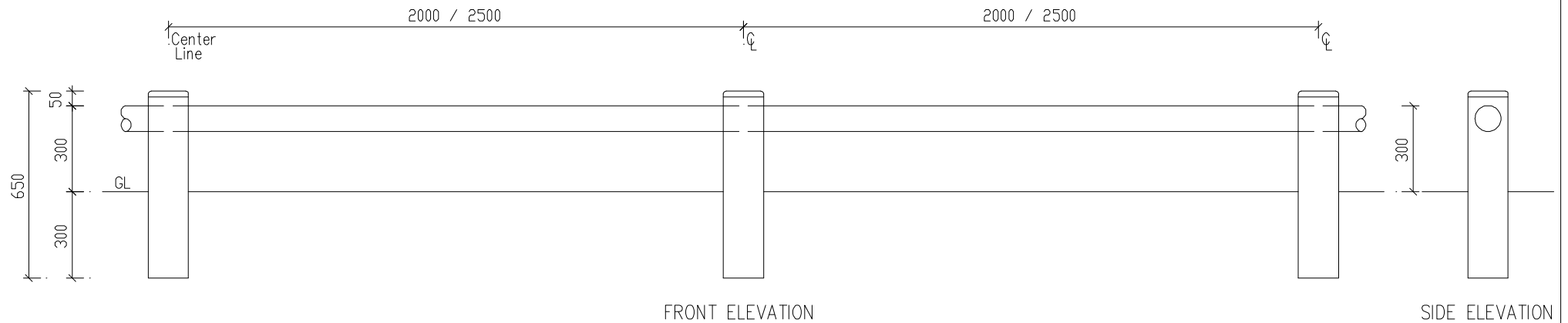


# PGF 1<sub>300</sub> Arena fence

SPECIFICATIONS	POSTS	RAILS
Overall diameter (OD)	140mm	79.8mm
Wall thickness (WT)	5.5-6.3mm	3.5-3.8mm
Overall height	650mm	-
Height above GL (ground level)	300mm	-
Spacing (posts $\varnothing$ to $\varnothing$ )	2000 or 2500mm	-
Length (of rails)	-	2000, 2500, 4000 5000, 6000mm
Number off	-	1



DATE	4-07-05	DRAWING No.	PGF1, 300
REVISION	A	DRAWN BY	CP

NOTE  
DRAWINGS ARE PROTECTED  
BY COPYRIGHT  
  
DO NOT SCALE