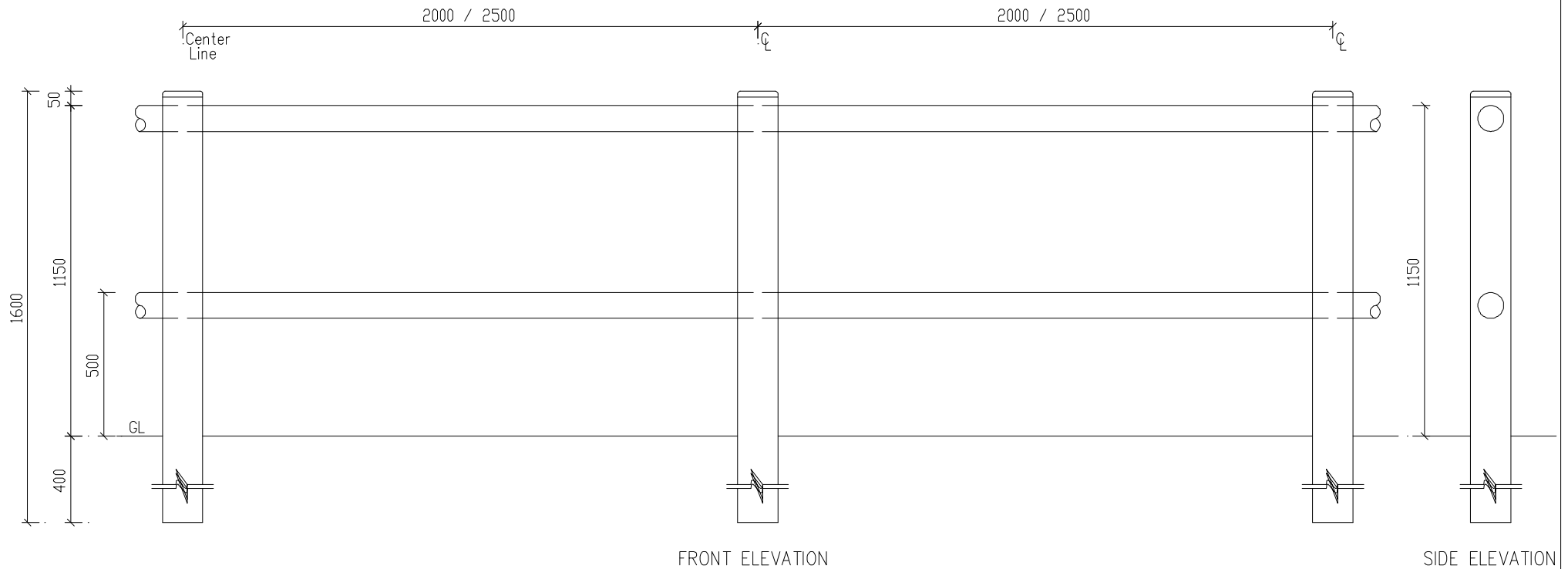


PGF 2₁₁₅₀ Golf course fence

SPECIFICATIONS	POSTS	RAILS
Overall diameter (OD)	140mm	79.8mm
Wall thickness (WT)	5.5-6.3mm	3.5-3.8mm
Overall height	1600mm	-
Height above GL (ground level)	1150mm	-
Spacing (posts ϕ to ϕ)	2000 or 2500mm	-
Length (of rails)	-	2000, 2500, 4000 5000, 6000mm
Number off	-	2



DATE	4-07-05	DRAWING No.	PGF2, 1150
REVISION	A	DRAWN BY	CP

NOTE
DRAWINGS ARE PROTECTED
BY COPYRIGHT

DO NOT SCALE